



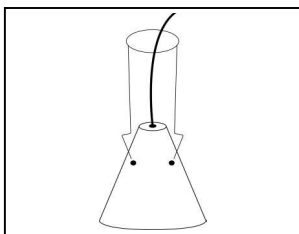
GlobalNginerineering

Installation and Safety Instructions

LED LIGHT ATTIC INSULATION COVER

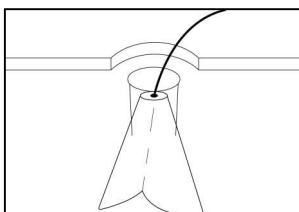
Step 1

Fit the fixing wire through pre-punched holes at the top of the cover. Make a hole in the top of the cover to pass cables through ensuring a tight fit.*



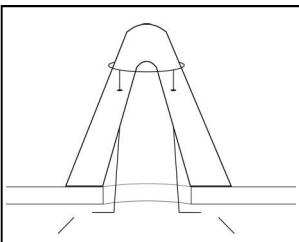
Step 2

Ensuring the wire is held above the cover, grasp legs firmly and roll cover into a tight cylinder. Feed the cover through the ceiling cut-out.



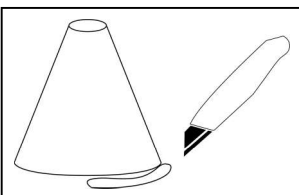
Step 3

Ensure cover springs back to shape. Pull down on legs until L-Section locates under the ceiling and cut off excess wire. The downlight can be fitted as per the light manufacturer's installation instructions.



Alternative

When installing from above and fixing wire is not required, the FF130R can alternatively be bonded to the ceiling with a bead of silicone sealant.



* Ensure the light and driver box are installed as per the light manufacturer's instructions.

NOTE: FOR APPLICATIONS IN FIRE RATED CEILINGS (1 & 2 HR) USE FF109 COVERS.

WARNING: BE SURE THE ELECTRICITY TO THE SYSTEM YOU ARE WORKING ON IS TURNED OFF; EITHER THE FUSE REMOVED OR THE CIRCUIT BREAKER SET AT OFF.

CONTAINS STONE WOOL INSULATION

Stone fibers may cause temporary mechanical irritation to the skin, throat, nose and eyes.

FIRST AID

Skin

If irritation occurs, do not rub or scratch. Rinse under running water prior to washing with mild soap and water. Consult a physician if irritation persists.

Throat and Eyes

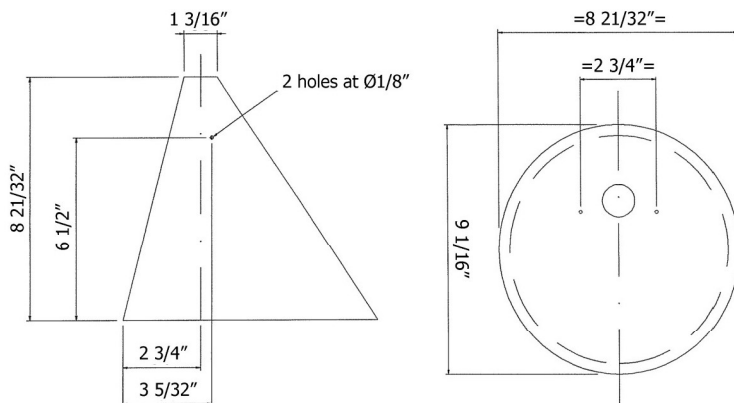
If irritation occurs, flush eyes with water and/or drink water to clear throat. Do not rub the eyes. Consult a physician if irritation persists.

PRECAUTIONS

- Wear long sleeve, loose fitting clothing, gloves and eye protection.
- For additional information, refer to the Material Safety Data Sheet (MSDS).

Model Number	Inside Height	Inside Length	Inside Width
FF130R	8"	8 1/4"	8"

LED LIGHT ATTIC INSULATION COVER



MAXIMUM LAMP WATTAGE AND TYPE

USE WITH LAMP TYPES AND WATTAGE AS RECOMMENDED BY THE LIGHT MANUFACTURER OR BY THIS SHEET, WHICHEVER IS LOWER, IN ORDER TO AVOID THERMAL OVERLOAD.



Compact Fluorescent Lamps 120V

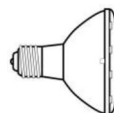
13W

18W



26W

32W



Directional Lamps

65W, BR 30

90W PAR38



LED Lamps 120V

18W PAR38



Do not use with energy inefficient light bulbs!



WARNING - USE WITH LAMP TYPES & WATTAGES AS INDICATED ABOVE.

FOLLOW THE LIGHT MANUFACTURER'S RECOMMENDATIONS FOR INSTALLATION WITHIN ENCLOSED SPACES.

NOTICE - FOR USE WITH THERMALLY PROTECTED FIXTURE ONLY. BLINKING LIGHT MAY INDICATE IMPROPER LAMP SIZE.

GlobalNginerineering Ltd

2370 Midland Ave, Unit B12

Scarborough, ON, M1S 5C6

Phone: 647 270 9450

Email: emanuel.ciucur@globalNginerineering.com

www.globalNginerineering.com

